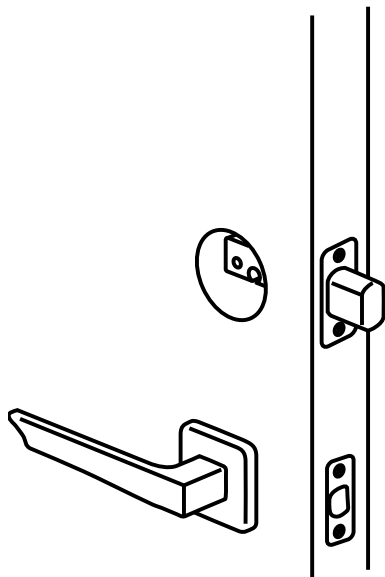




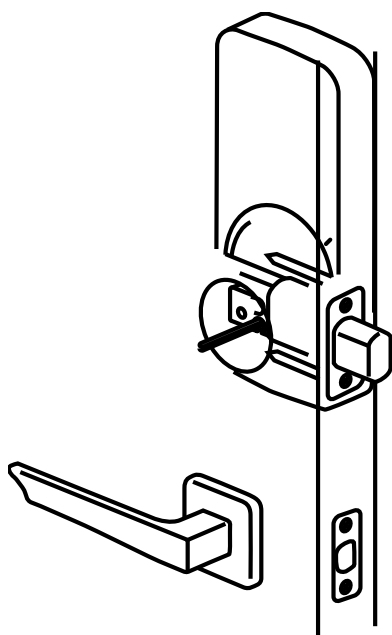
Transforming smart to *Smartest*

Installation Guide

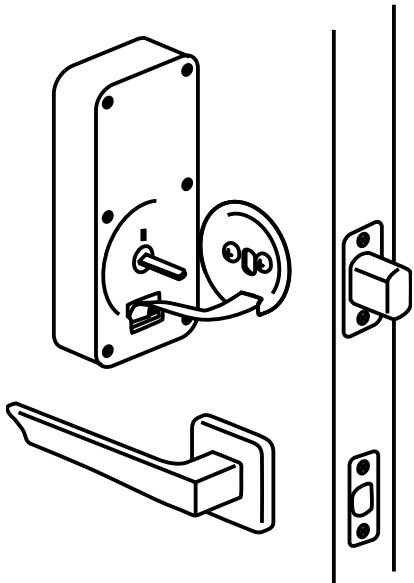
1. Remove your existing lock and insert provided latch securing it in place.



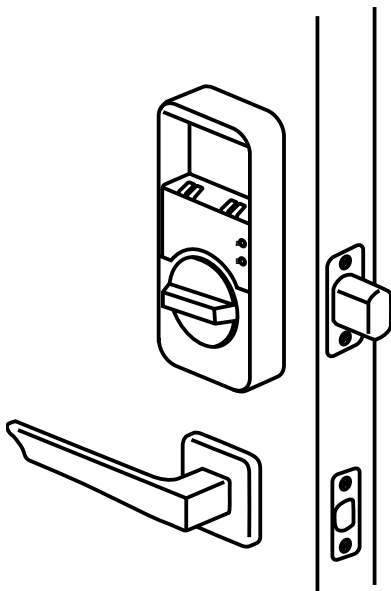
2. Fix outer Video unit and inside Mounting plate in parallel and secure them with provided screws as shown in image.



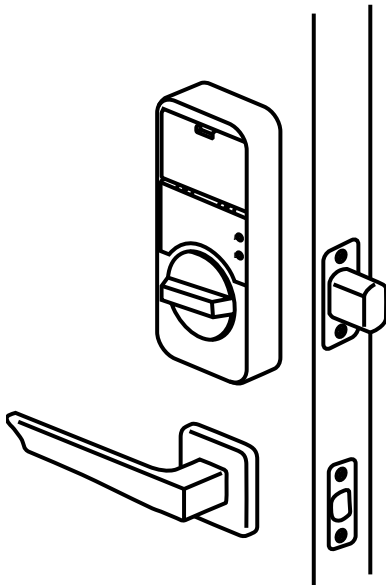
3. Connect free end of ribbon cable to connector present on the back of inside unit.



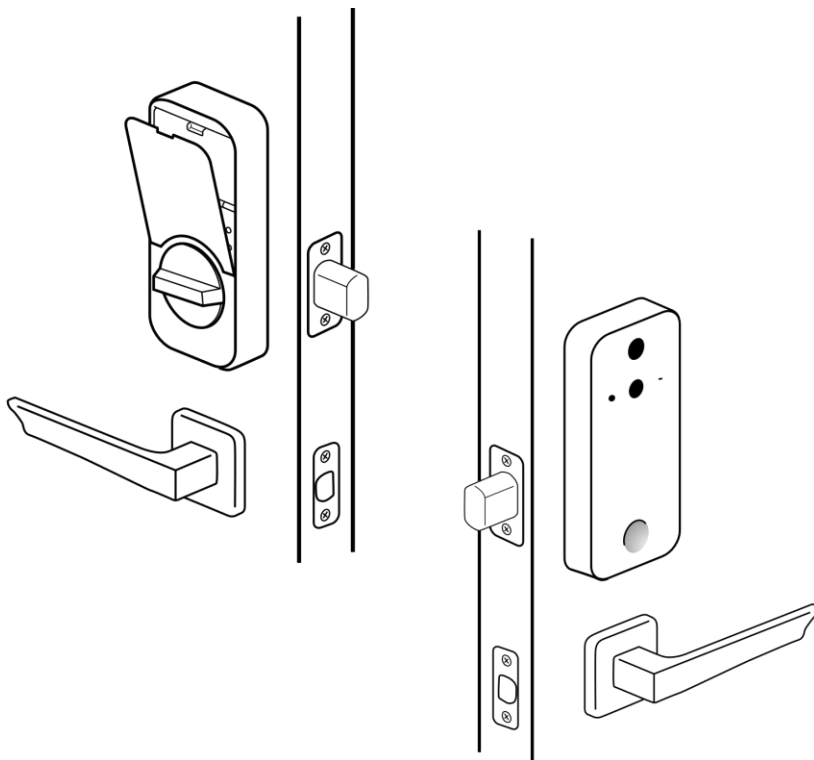
4. Now your inner unit is fixed and should look as shown in image.



5. Insert battery pack in place as shown and close battery compartment.



6. You should achieve above final look after installation.



## Support

If you have any questions, we're here for you 24/7

For online help and support, visit [www.altrosmart.com](http://www.altrosmart.com)

To reach an expert, write to us at [support@altrosmart.com](mailto:support@altrosmart.com)